

## Surface Mount Brush Grommet Installation Instructions

### Ordering Information:

The surface mount cable seal will seal any openings smaller than the model designation. Edge protection for rough cut-out edges would have to be addressed separately. Use floor manufacturer's recommendation on cutting limitations and cutting tools. Design load capacity of the tile imposes limitations on the size and location of the cut-out or may require additional supports.

### Kit Includes:

Assembled with brush, sides & corners  
(4) #8 self-tapping screws, black

### Tools Required:

- Floor cutting tools (new installation)
- Drill with Phillips bit
- Optional cleaner
- Optional double-sided tape

### New Installation & Preparation (cables not run):

1. Make sure there are no sharp burrs on the top of the cut-out.
2. Clean around the top edges of the cut-out.
3. Place the seal in the cut-out to ensure proper fit.
4. Seal should sit flat with little or no side to side movement.
5. If double-sided tape will be used, remove the seal, attach tape to the underside of the seal and replace in the cut-out.
6. Fasten securely using the (4) self-taping screws.
7. Do not over-torque the screws.

### Installation with Existing Cables in Place:

1. Make sure there are no sharp burrs on the top of the cut-out.
2. Clean around the top edges of the cut-out.
3. Carefully remove one end of the seal frame (see diagram 3).
4. Place the seal around the cables and re-insert the end portion.
5. Place the seal over the cut-out around the existing cables to insure proper fit.
6. Seal should sit flat with the cut-out completely covered.
7. If double-sided tape will be used, lift the seal, attach tape to the underside of the seal and replace over the cut-out.
8. Fasten securely using the (4) self-taping screws (optional with double-sided tape).
9. Do not over-torque the screws.

### Effective Installation - Best Practices:

The purpose of the seal is to prevent the loss of cool air through the cut-out. While the surface mount is an effective seal, there are steps the installer can take to improve the effectiveness of the seal. Where possible, bundle like cables using cable tie wraps. This keeps the gaps to a minimum.

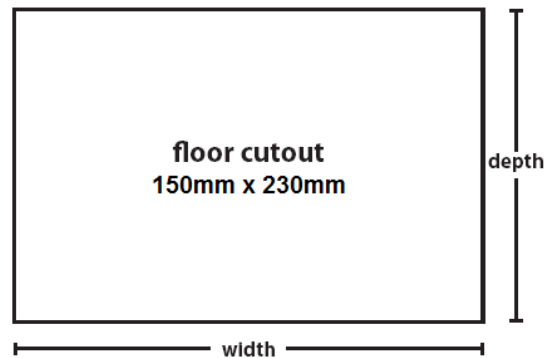


diagram 1

